

# Toy Train

## Train Parts List

Item	Quantity	Name	Description	Material
1	1	Train Body		ABS Plastic
2	1	Stack		ABS Plastic
3	1	Hitch Magnet		ABS Plastic
4	1	Hitch Peg		ABS Plastic
5	4	Wheel		ABS Plastic
6	4	Axle Peg		ABS Plastic
7	2	Linkage Arm		ABS Plastic
8	4	Linkage Peg		ABS Plastic
9	1	Cow Catcher		ABS Plastic

### Train Tolerances

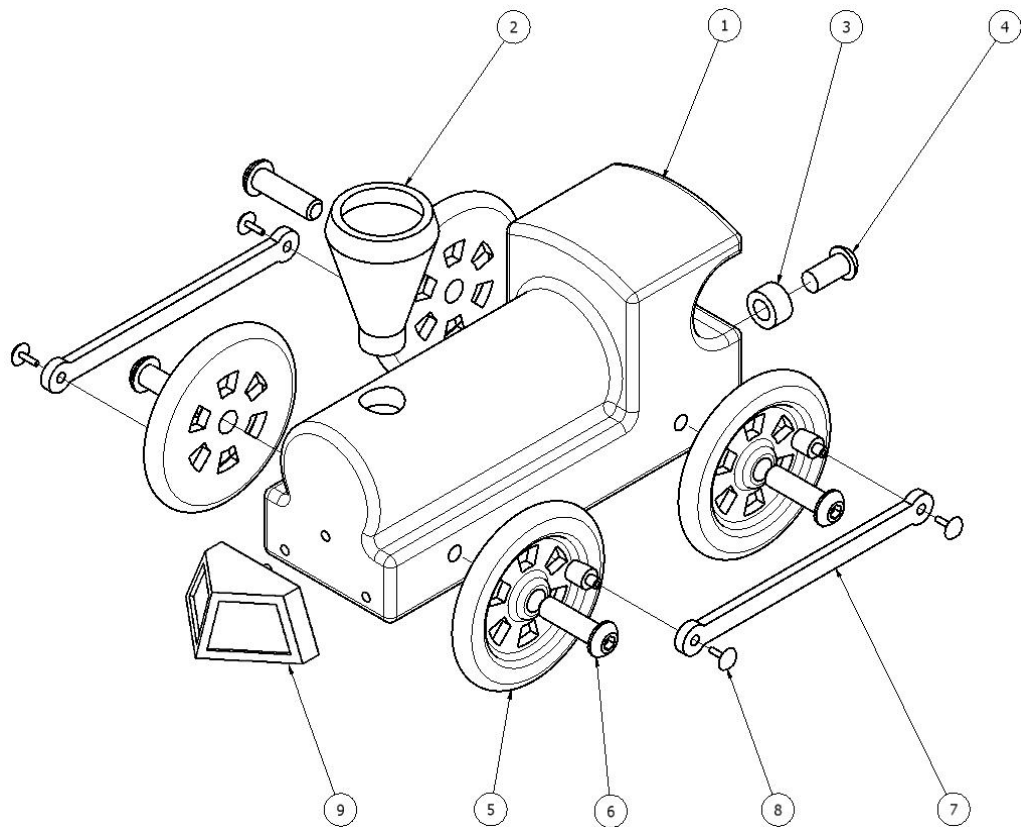
All parts have the following tolerances:

X.X = +/- .020

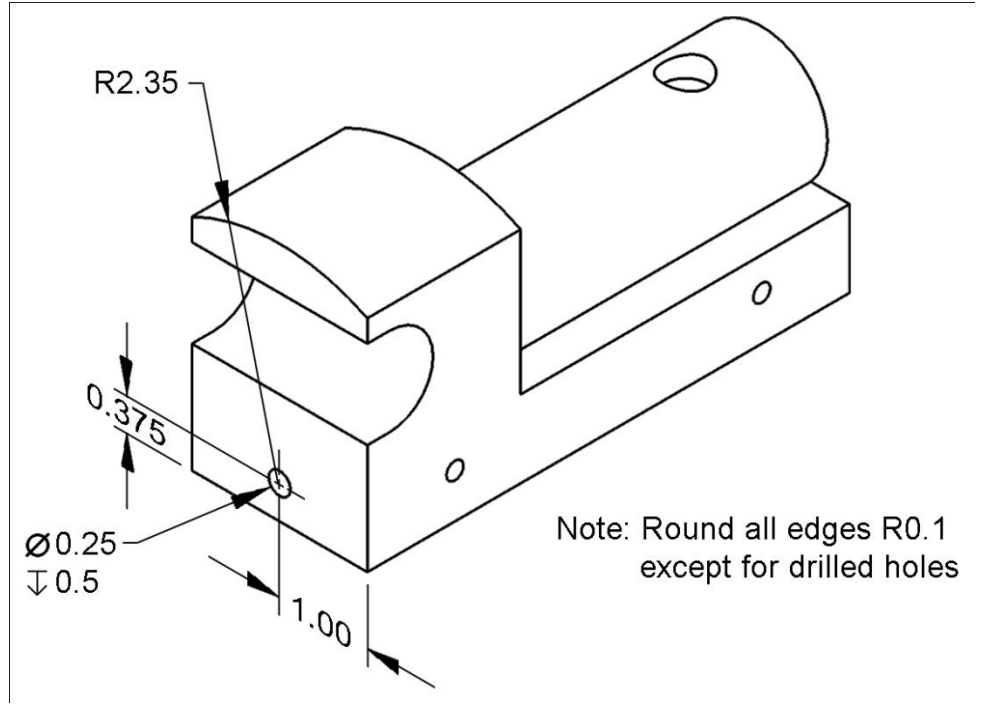
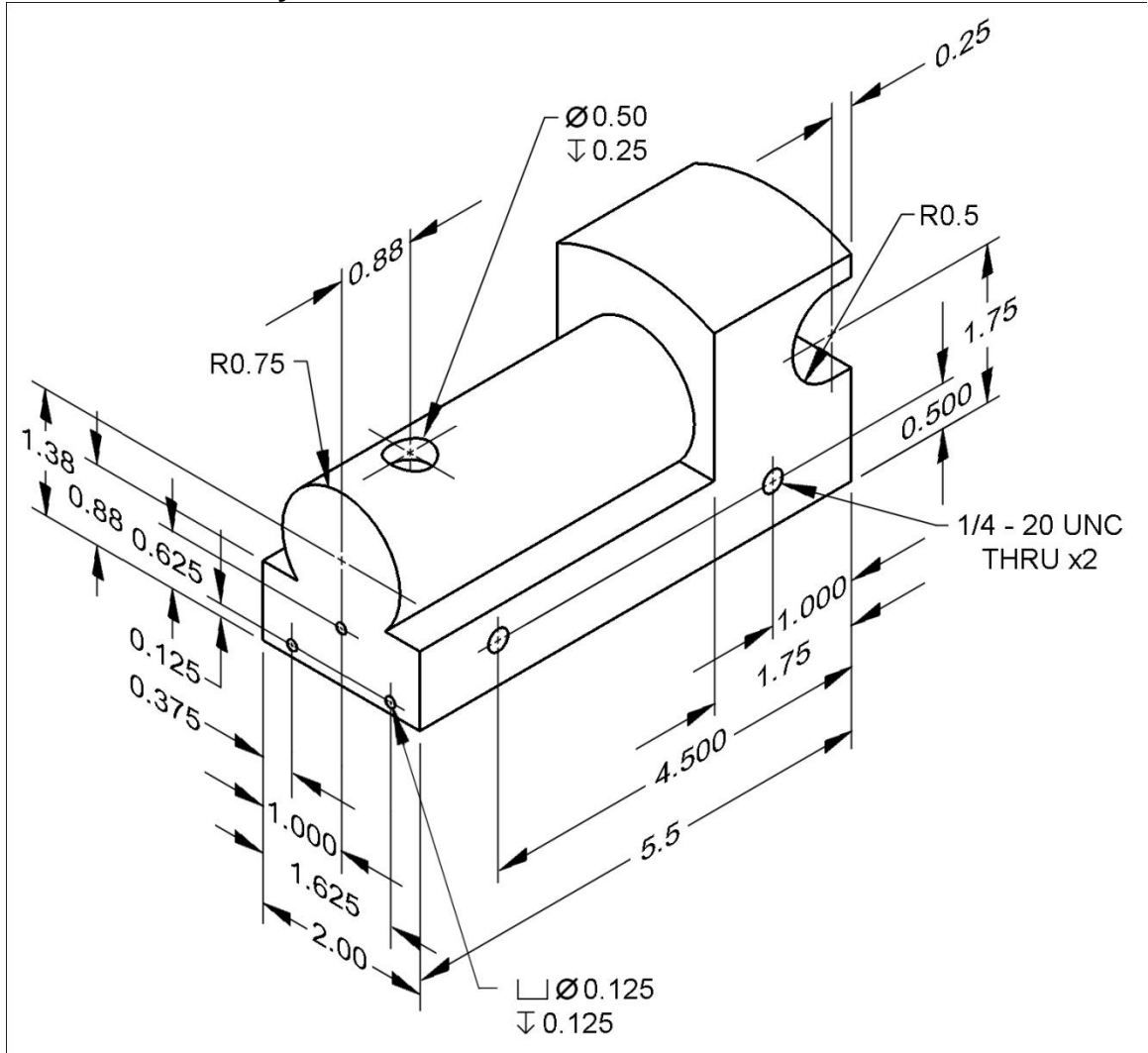
X.XX = +/- .010

X.XXX = +/-

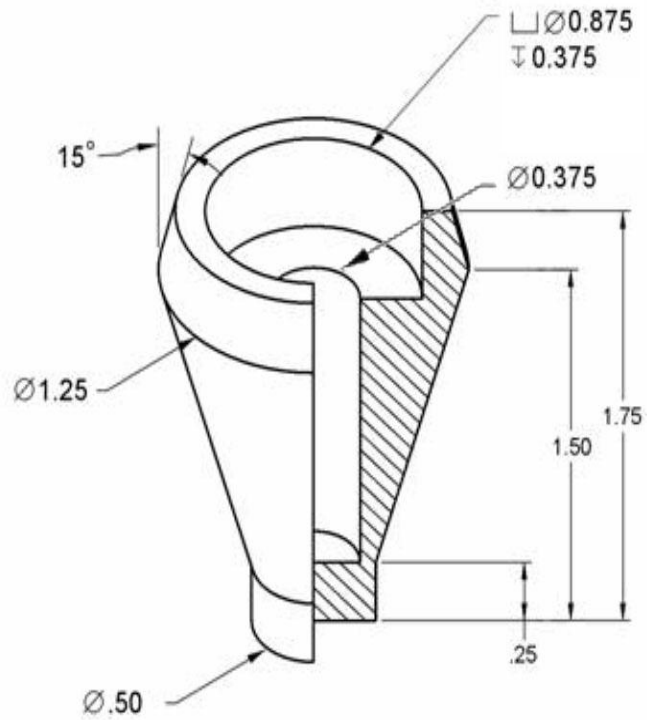
.005



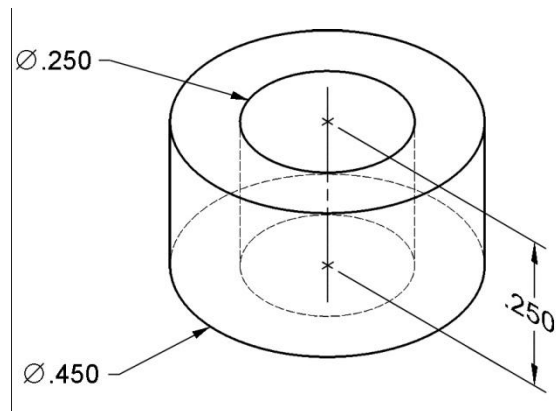
# Part #1: Train Body



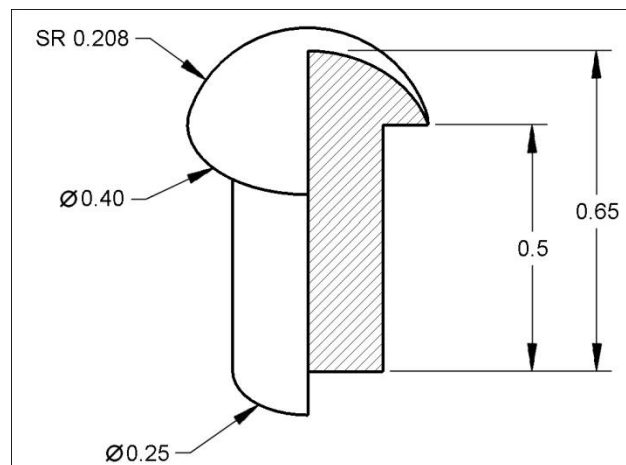
## Part #2: Stack



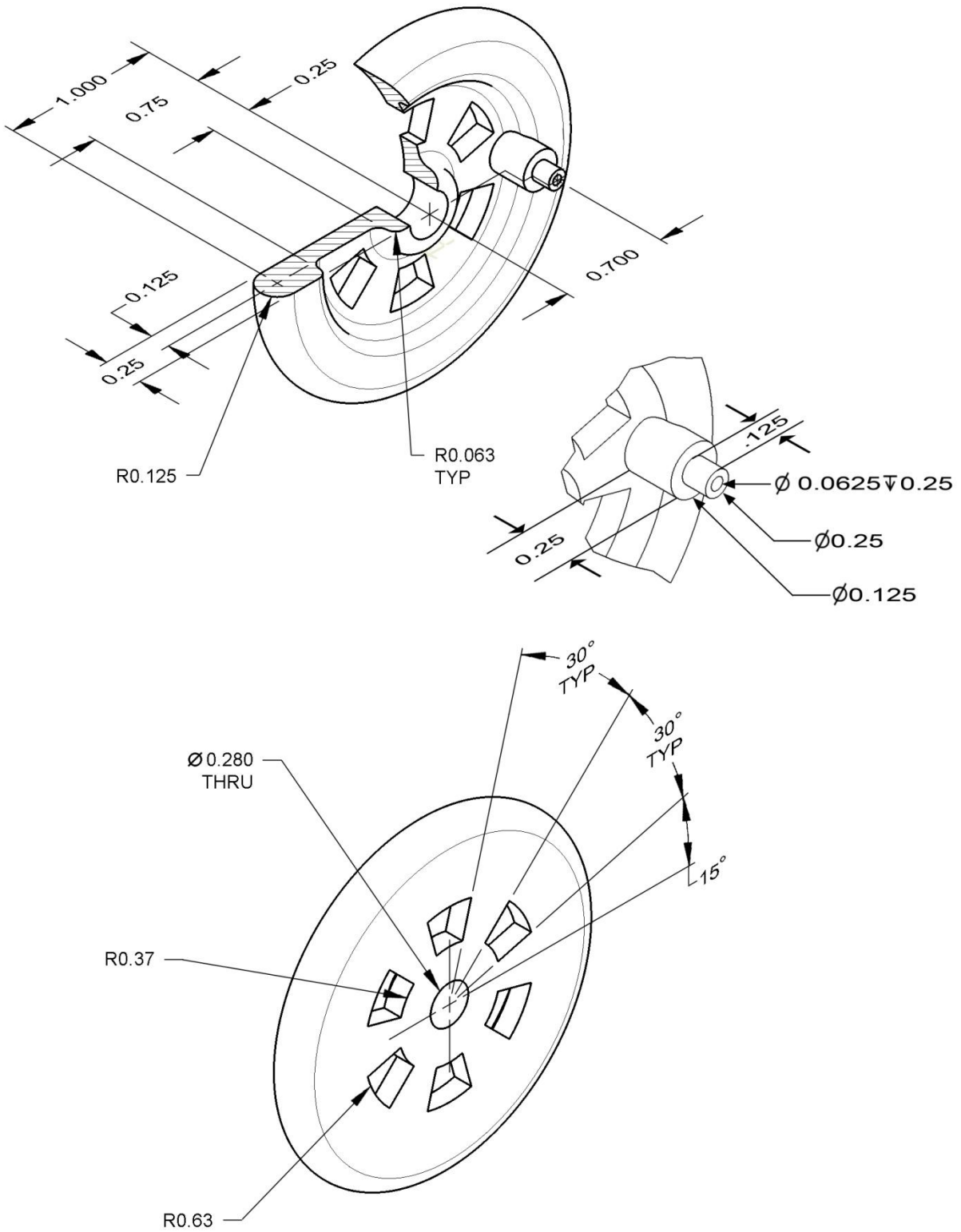
## Part #3: Hitch Magnet



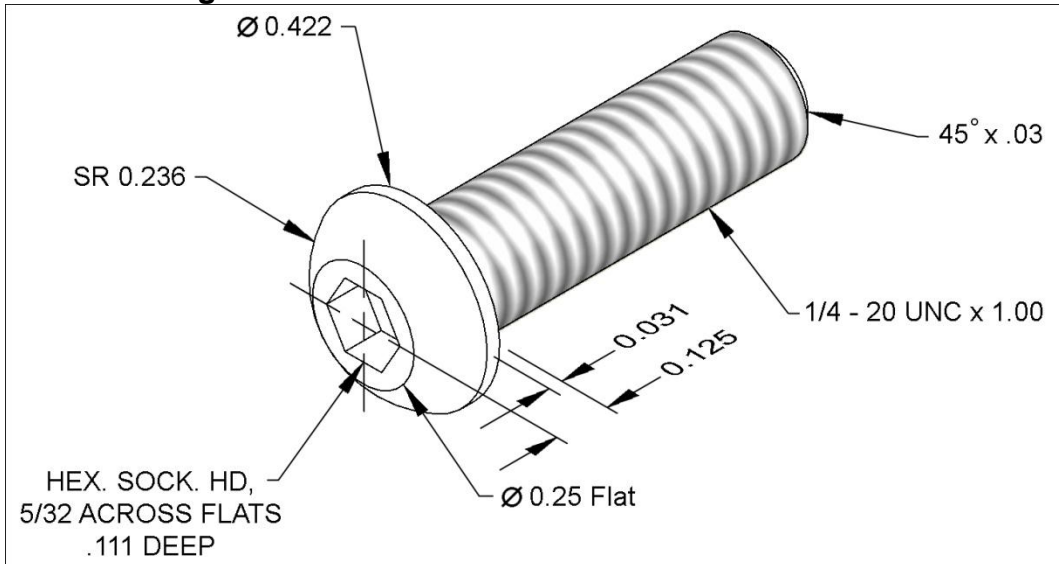
## Part #4: Hitch Peg



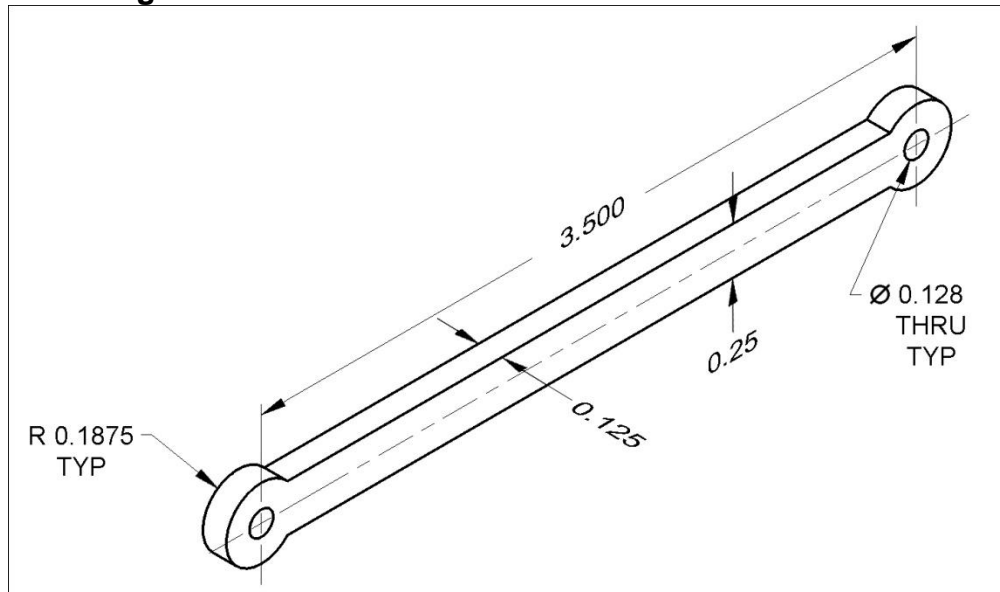
# Part #5: Wheel



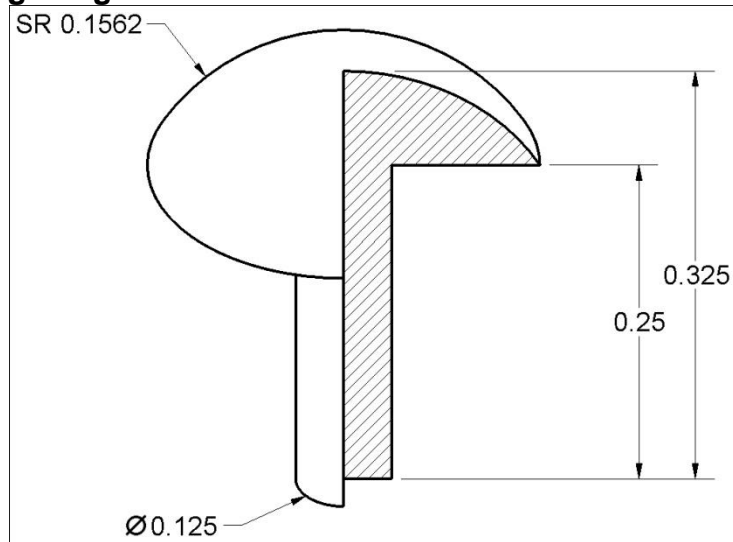
**Part #6: Axle Peg**



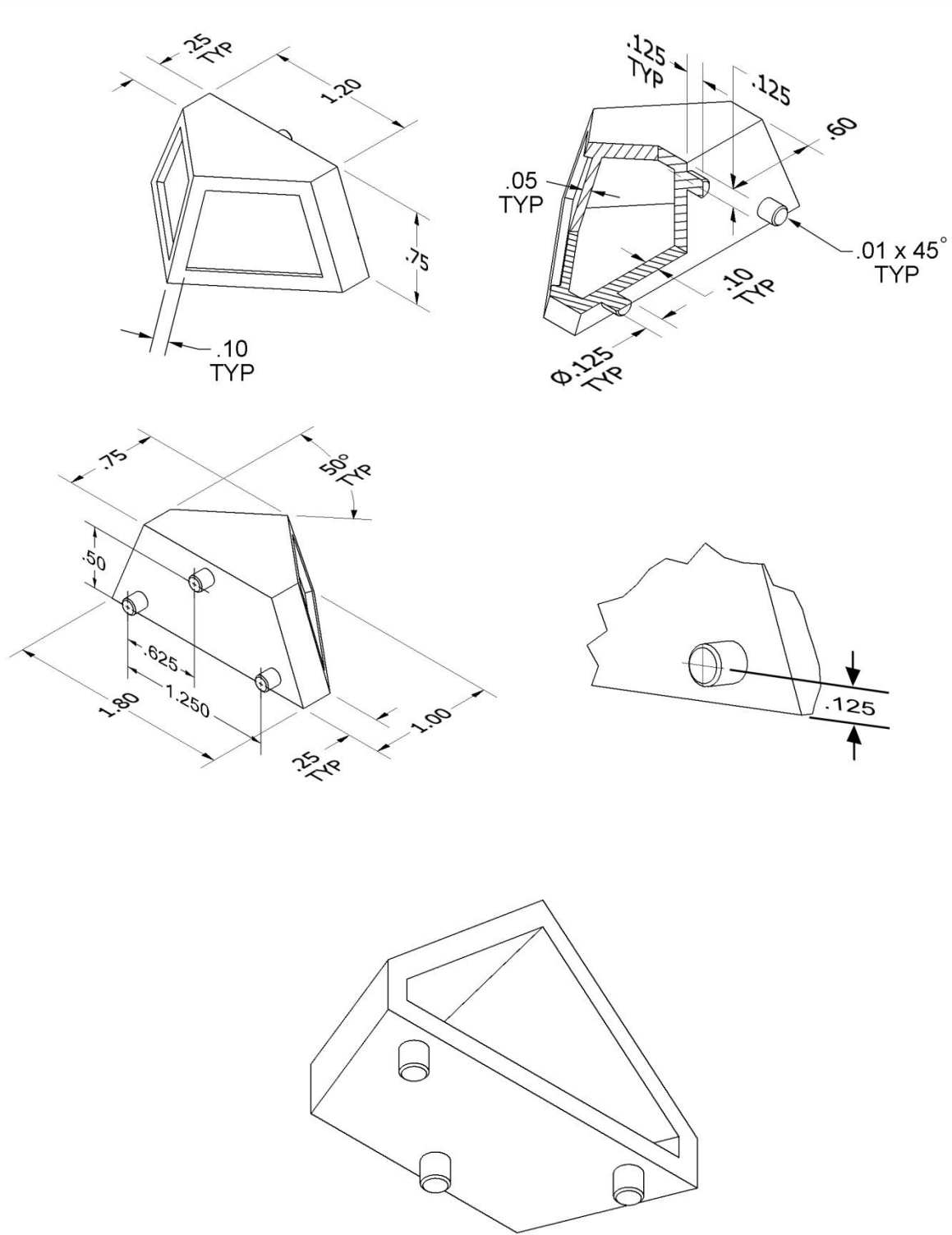
**Part #7: Linkage Arm**



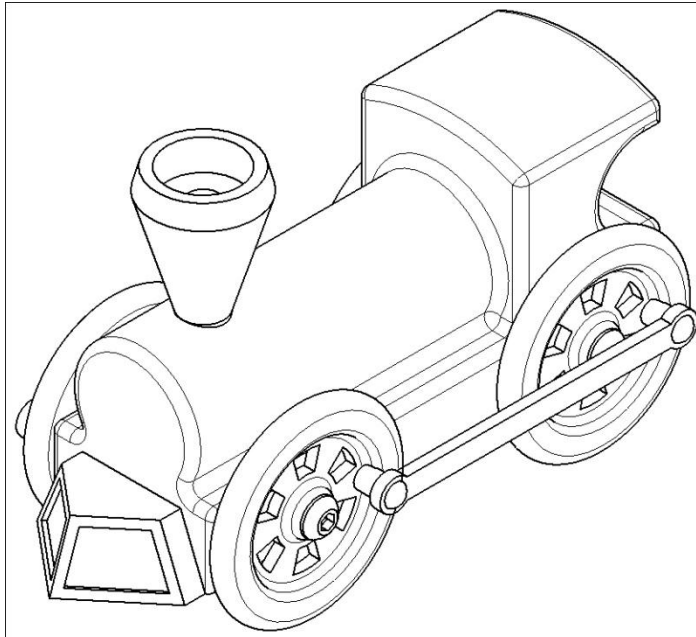
**Part #8: Linkage Peg**



# Part #9: Cow Catcher



### Assembled Train



### Straight Track

